

ORDER FORM

DONDOLINO vertical standing frame

DISTRIBUTOR/AGENT:	DATE OF ORDER:
	DATE OF DELIVERY:
	NAME OF THE ADDRESSEE/USER:

tray and wheels included



FDA registered - USA
 CE marked

FUNCTIONS

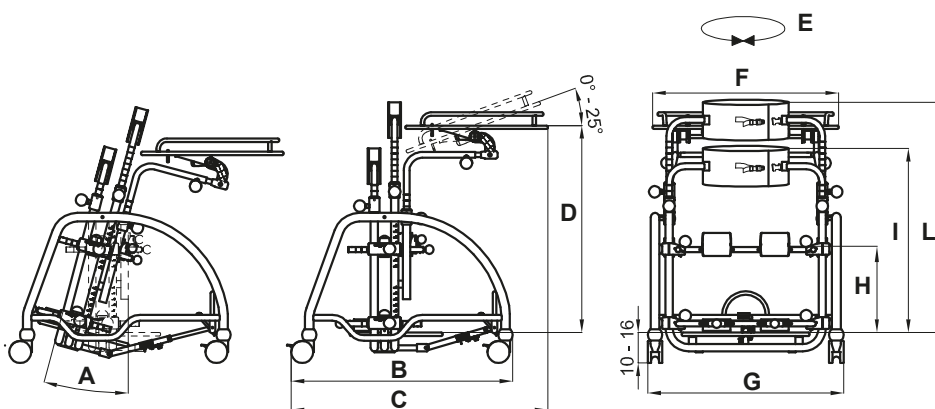
- No edge **tilting frame** in order to enable trunk rotation and side-arm motion. Continuous adjustment, without snaps (by gas spring).
- **Birch wood table.** It is removable and adjustable in height, tilt and depth.
- **Trunk Support** adjustable in its circumference thanks to Velcro straps, in height, back and forward.
- **Pelvic Support** adjustable in its circumference thanks to Velcro straps, in height, back and forward.
- **Numbered bars** to find the right setting, determined by the therapist
- **Knee-pads** adjustable in height, width, depth and in a rotatory movement.
- **Heelrests** adjustable in depth and width.
- **Birch wood footboard.** It gives a safe guide to the child. It is adjustable in height
- **Twinned solid Wheels**, 75 mm. diam., rear wheels with brakes. Thanks to the wheels the aid can be moved from one room to another having the child on it.

Attention!
 Read carefully the user and maintenance manual

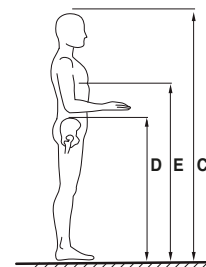
Please check off the interested products:

MEASURES

- DONDOLINO 1 DONDOLINO 2 DONDOLINO 3



User dimensions



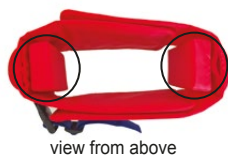
USER HEIGHT (C)
 size 1: min cm 75 - max cm 100
 size 2: min cm 95 - max cm 125
 size 3: min cm 120 - max cm 150

IMPORTANT:
 make sure that measures D and E indicated in the figure do not exceed the suggested range indicated for pelvic and trunk supports.

SIZE	WEIGHT	MAX LOAD CAP	A	B	C	D	E	F	G	H	I	L
1	Kg. 19	Kg. 35	0°-19°	cm 63	cm 77-87	cm 45-73	cm 60	cm 64	cm 63	cm 12-25	cm 40-57	cm 52-74
2	Kg. 24	Kg. 45	0°-14°	cm 77	cm 83-96	cm 52-87	cm 65	cm 64	cm 67	cm 12-37	cm 50-70	cm 60-80
3	Kg. 26	Kg. 55	0°-11°	cm 83	cm 90-100	cm 61-99	cm 70	cm 64	cm 71	cm 12-49	cm 59-72	cm 73-110

ACCESSORIES

944
Circumference reduction parts
 Thickness: 3 cm. each side



865
Adjustable headrest



Notes:

